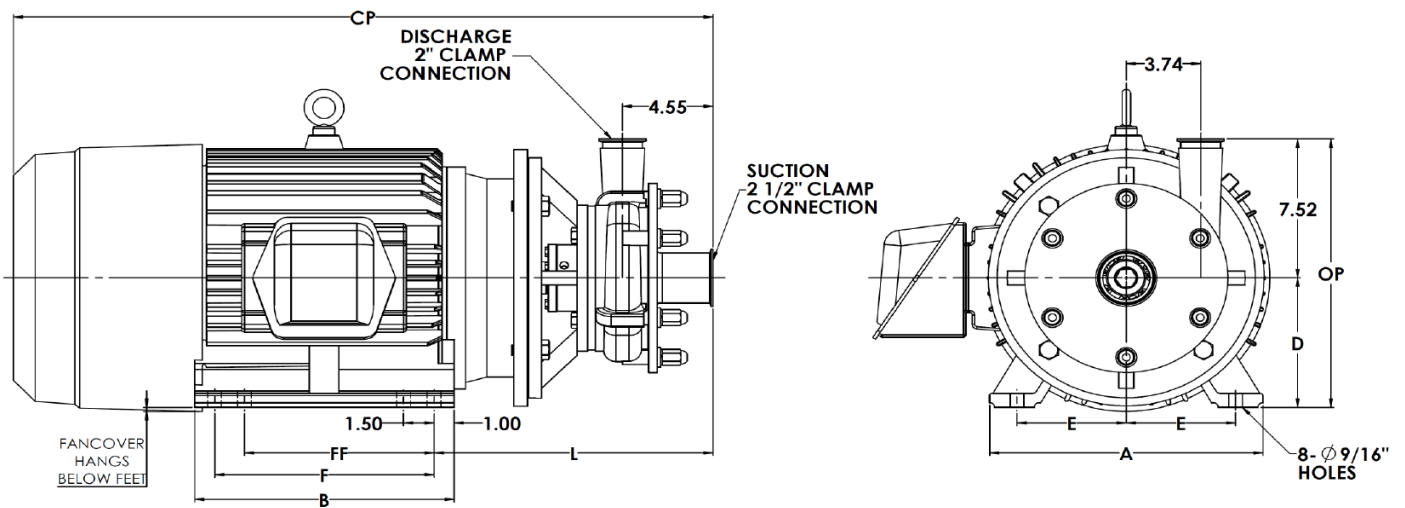
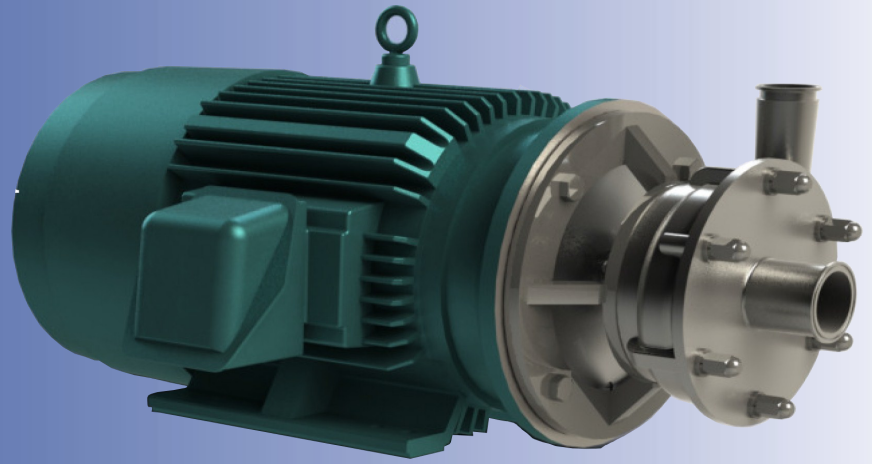


# Ampco Centrifugal Pumps

## DATA SHEET

MODEL LH-V532 2½ X 2



TEFC MOTOR			DIMENSIONS IN INCHES MILLIMETERS (For Reference Only)										APPROX WEIGHT
HP	RPM	FRAME	A (typ)	B (typ)	D	E	FF	F	ØH	L	CP	OP	LBS Kg
15	3500	284JM	13 3/4	13	7	5 1/2	9 1/2	11	9/16	14.19	35.31	14.51	542
			349	330	178	140	241	279	14	360	897	369	246
20	3500	284JM	13 3/4	13	7	5 1/2	9 1/2	11	9/16	14.19	35.31	14.51	542
			349	330	178	140	241	279	14	360	897	369	246
25	3500	284JM	13 3/4	13	7	5 1/2	9 1/2	11	9/16	14.19	35.31	14.51	542
			349	330	178	140	241	279	14	360	897	369	246

### MATERIAL SPECIFICATIONS

PART NAME	STAINLESS STEEL
Casing, Cover & Impeller	316L Stainless
Shaft Sleeve	316L Stainless
Adapter	304 Stainless