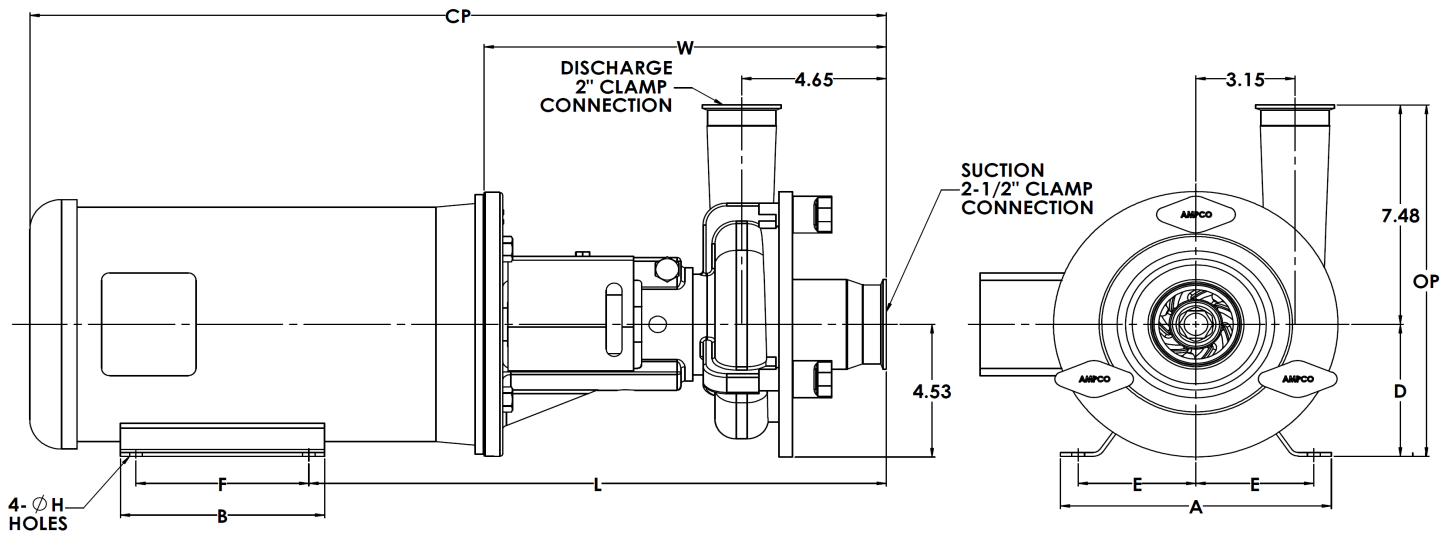
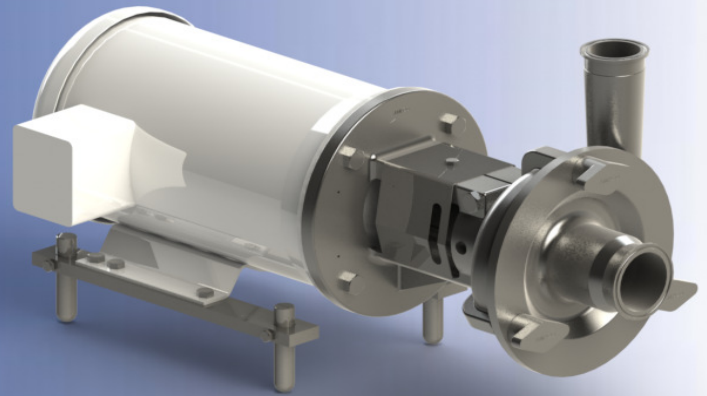


Ampco Centrifugal Pumps

DATA SHEET

MODEL LF-V521 2½ x 2

MODEL LF-V522 2½ x 2



TEFC MOTOR			DIMENSIONS IN INCHES MILLIMETERS (For Reference Only)										APPROX WEIGHT
HP	RPM	FRAME	A (typ)	B (typ)	D	E	F	ØH	L	W	CP	OP	LBS Kg
1 HP	1750	143TC	6 1/2	6	3 1/2	2 3/4	4	11/32	13.81	10.93	22.10	10.98	86
			165	152	89	70	102	9	351	278	561	279	39
1½ HP	1750	145TC	6 1/2	6	3 1/2	2 3/4	5	11/32	13.81	10.93	22.10	10.98	92
			165	152	89	70	127	9	351	278	561	279	42
2 HP	1750	145TC	6 1/2	6	3 1/2	2 3/4	5	11/32	13.81	10.93	22.10	10.98	95
			165	152	89	70	127	9	351	278	561	279	43
5 HP	3500	184TC	8 5/8	6 1/2	4 1/2	3 3/4	5 1/2	13/32	16.25	12.85	26.56	11.98	127
			219	165	114	95	140	10	413	326	675	304	58
7½ HP	3500	184TC	8 5/8	6 1/2	4 1/2	3 3/4	5 1/2	13/32	16.25	12.85	26.56	11.98	145
			219	165	114	95	140	10	413	326	675	304	66
10 HP	3500	215TC	9 1/2	8	5 1/4	4 1/4	7	13/32	17.13	12.85	29.26	12.73	179
			241	203	133	108	178	10	435	326	743	323	81
15 HP	3500	215TC	9 1/2	8	5 1/4	4 1/4	7	13/32	17.13	12.85	29.26	12.73	219
			241	203	133	108	178	10	435	326	743	323	100

MATERIAL SPECIFICATIONS

PART NAME	STAINLESS STEEL
Casing, Cover & Impeller	316L Stainless
Stub Shaft	316L Stainless
Adapter	304 Stainless

PUMP CURVES

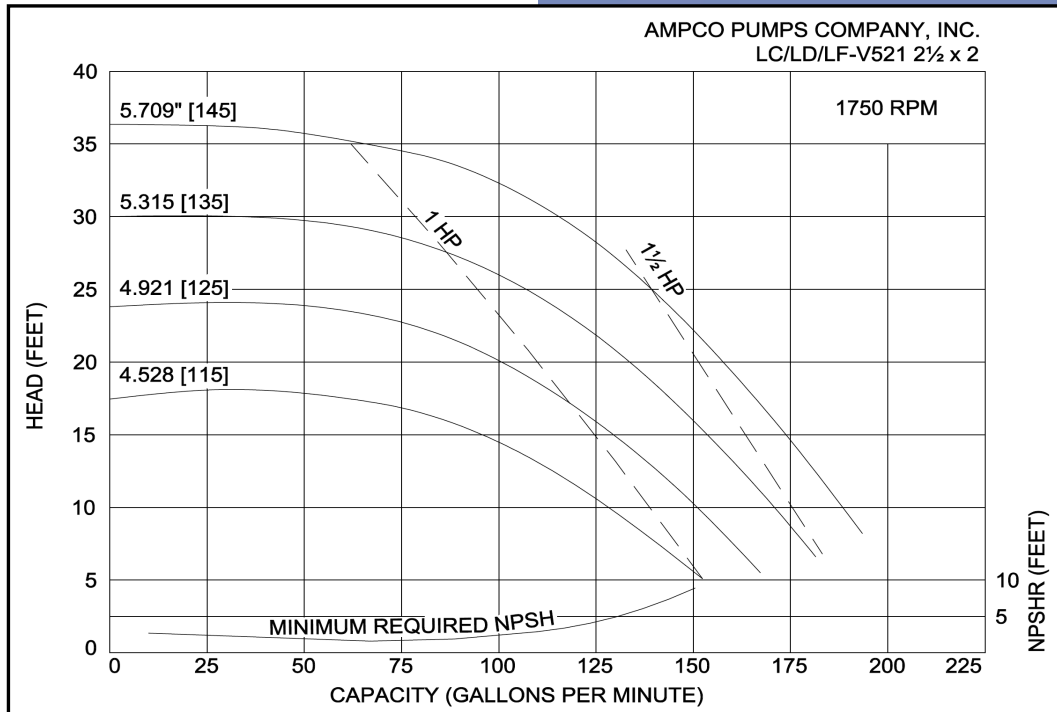
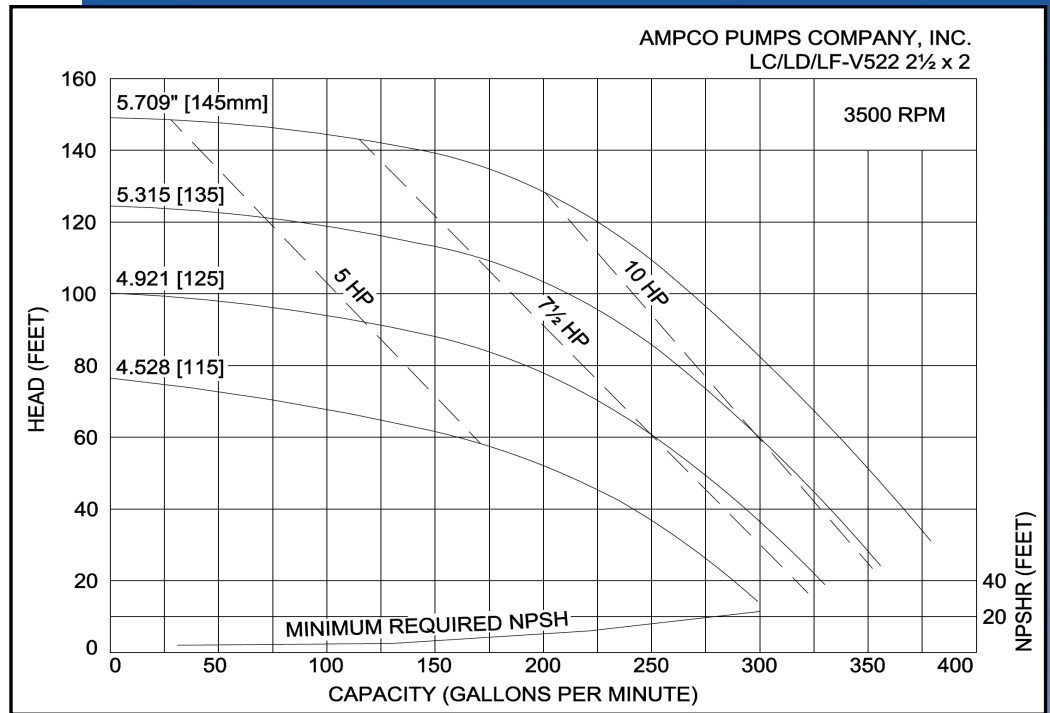
MODEL LF-V521 2½ x 2

MODEL LF-V522 2½ x 2

Curves show approximate characteristics based on clear 68° F water.
Rated point is guaranteed

LF-Series pumps have standard stainless steel adapters and silicon carbide vs. carbon seals.

Ampco Centrifugal Pumps



LF pumps are in conformance with 3A sanitary standards for centrifugal and positive rotary pumps for milk and milk products, Number 02-10.

LF-Series pumps have a standard 32RA (150 grit) finish, on all product contact surfaces.

Ampco Pumps Company

2045 West Mill Road
Glendale, Wisconsin 53209
PHONE (414) 643-1852
FAX (414) 643-4452

LF-V521/V522 2.5X2 01/11