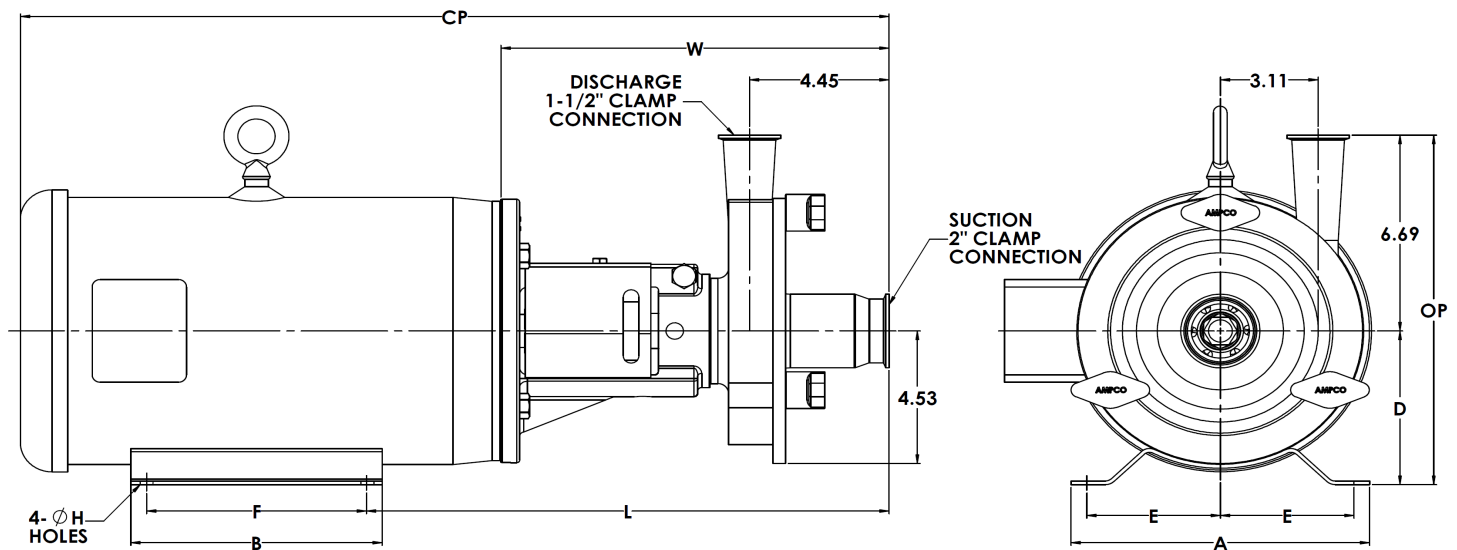
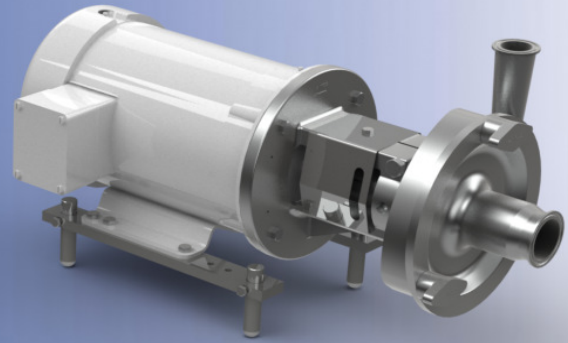


Ampco Centrifugal Pumps

DATA SHEET

MODEL LF-R21 2 x 1½

MODEL LF-R22 2 x 1½



TEFC MOTOR			DIMENSIONS IN INCHES MILLIMETERS (For Reference Only)										APPROX WEIGHT
HP	RPM	FRAME	A (typ)	B (typ)	D	E	F	ØH	L	W	CP	OP	LBS Kg
1 HP	1750	143TC	6 1/2	6	3 1/2	2 3/4	4	11/32	13.31	10.44	21.60	10.19	77
			165	152	89	70	102	9	338	265	549	259	35
1½ HP	1750	145TC	6 1/2	6	3 1/2	2 3/4	5	11/32	13.31	10.44	21.60	10.19	83
			165	152	89	70	127	9	338	265	549	259	38
3 HP	3500	182TC	8 5/8	6 1/2	4 1/2	3 3/4	4 1/2	13/32	15.75	12.35	26.06	11.19	104
			219	165	114	95	114	10	400	314	662	284	47
5 HP	3500	184TC	8 5/8	6 1/2	4 1/2	3 3/4	5 1/2	13/32	15.75	12.35	26.06	11.19	118
			219	165	114	95	140	10	400	314	662	284	54
7½ HP	3500	184TC	8 5/8	6 1/2	4 1/2	3 3/4	5 1/2	13/32	15.75	12.35	26.06	11.19	136
			219	165	114	95	140	10	400	314	662	284	62
10 HP	3500	215TC	9 1/2	8	5 1/4	4 1/4	7	13/32	16.63	12.35	28.76	11.94	170
			241	203	133	108	178	10	422	314	731	303	77

MATERIAL SPECIFICATIONS

PART NAME	STAINLESS STEEL
Casing, Cover & Impeller	316L Stainless
Stub Shaft	316L Stainless
Adapter	304 Stainless

PUMP CURVES

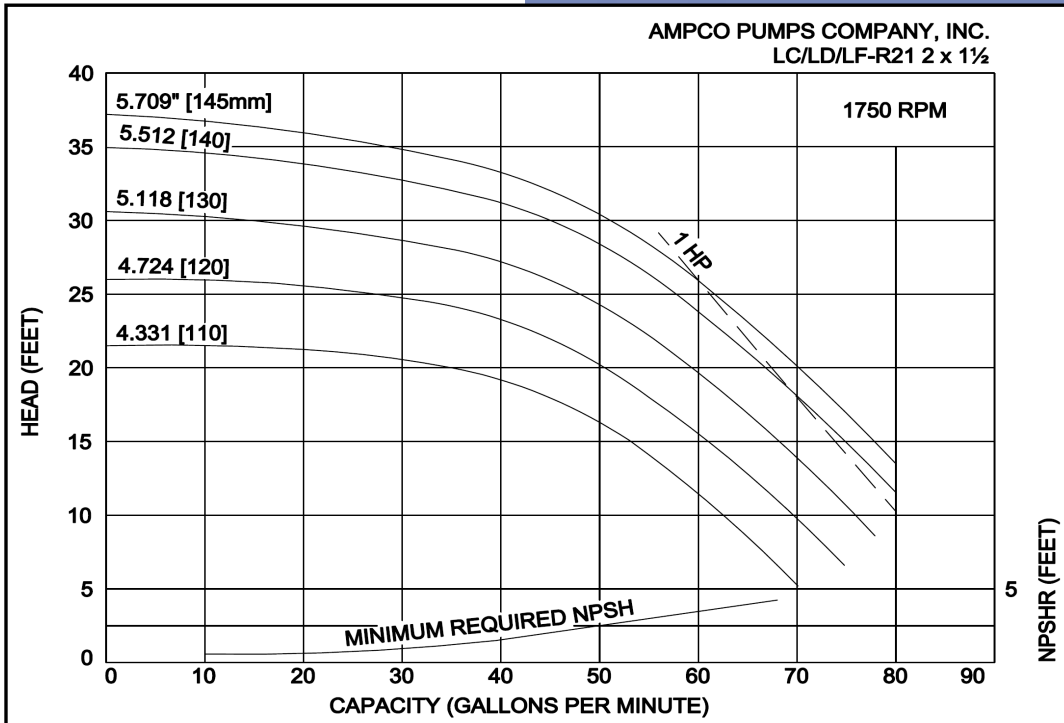
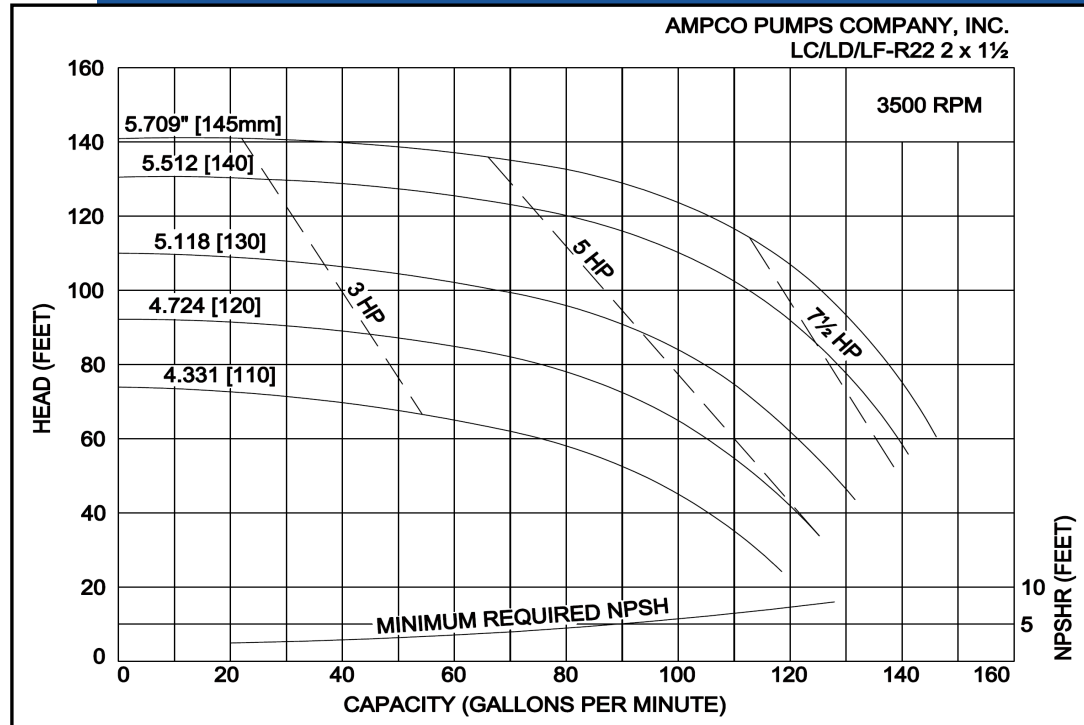
MODEL LF-R21 2 x 1½

MODEL LF-R22 2 x 1½

Curves show approximate characteristics based on clear 68° F water.
Rated point is guaranteed

LF-Series pumps have standard stainless steel adapters and silicon carbide vs. carbon seals.

Ampco Centrifugal Pumps



LF pumps are in conformance with 3A sanitary standards for centrifugal and positive rotary pumps for milk and milk products, Number 02-10.

LF-Series pumps have a standard 32RA (150 grit) finish, on all product contact surfaces.

Ampco Pumps Company

2045 West Mill Road
Glendale, Wisconsin 53209
PHONE (414) 643-1852
FAX (414) 643-4452

LF-R21/R22 2X1.5 01/11