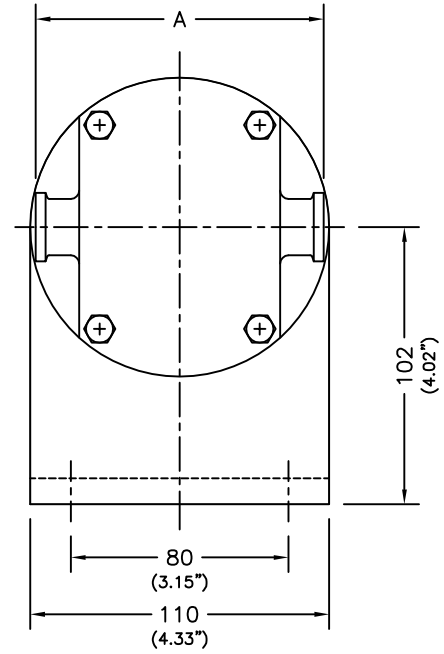
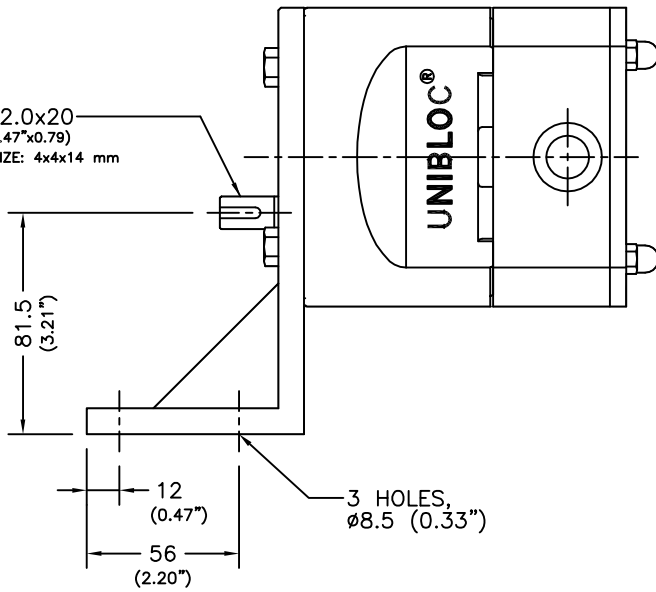
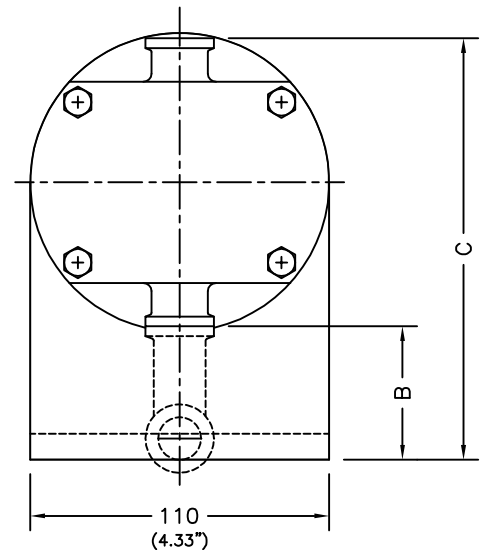
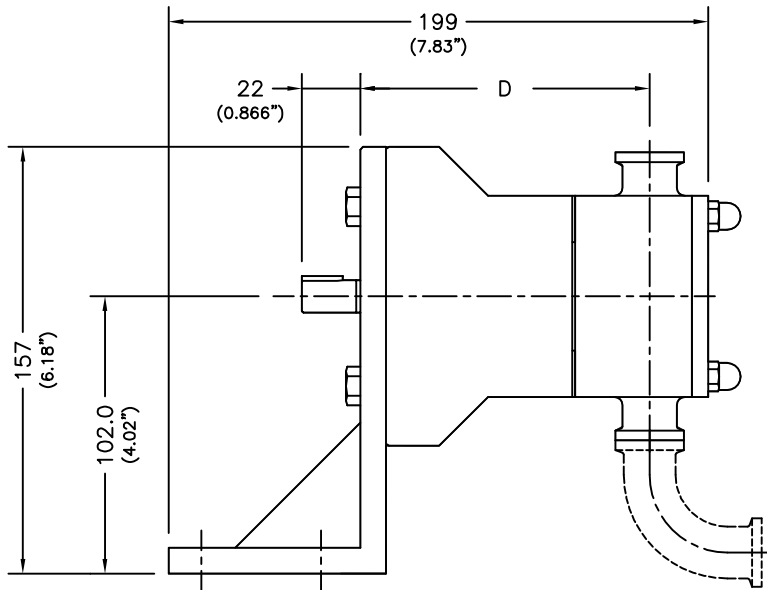


| REVISIONS |             |      |    |
|-----------|-------------|------|----|
| SYMBOL    | DESCRIPTION | DATE | BY |
|           |             |      |    |

Ø12.0x20  
(Ø0.47"x0.79")  
KEY SIZE: 4x4x14 mm



**HORIZONTAL THROUGH-PUT**



**VERTICAL THROUGH-PUT**

| PORT TYPE          | PORT SIZE | A   |      | B  |      | C   |      | D   |      |
|--------------------|-----------|-----|------|----|------|-----|------|-----|------|
|                    |           | mm  | In.  | mm | In.  | mm  | In.  | mm  | In.  |
| SANITARY TRICLAMP  | 3/4"      | 106 | 4.17 | 49 | 1.93 | 155 | 6.10 | 107 | 4.21 |
| SANITARY ISO CLAMP | DN15      | 102 | 4.02 | 51 | 2.00 | 153 | 6.02 | 104 | 4.09 |
| DN20 THREAD        | DN20      | 120 | 4.72 | 44 | 1.73 | 160 | 6.29 | 104 | 4.09 |

THIS DRAWING AND ALL IDEAS INCORPORATED IN ITS DESIGN IS THE EXCLUSIVE PROPERTY OF FLOWTECH, INC. ITS ACCEPTANCE CONSTITUTES AN AGREEMENT THAT IT SHALL BE TREATED AS A CONFIDENTIAL DOCUMENT USED FOR NO OTHER PURPOSE THAN TO AID IN ITS CONSTRUCTION, THAT IT IS TO BE RETURNED UPON REQUEST, AND THAT IT IS NOT TO BE DISCLOSED OR COPIED EXCEPT AS AUTHORIZED IN WRITING BY FLOWTECH, INC.

**UNIBLOC®-PUMP, INC.**  
FLOWTECH div. USA

|         |    |      |
|---------|----|------|
| DRAWN   | BY | DATE |
| CHECKED |    |      |
| APP'D   |    |      |
| SCALE   |    |      |

|                           |     |              |
|---------------------------|-----|--------------|
| DWG. TITLE                |     | DWG. NO.     |
| <b>GENERAL DIMENSIONS</b> |     |              |
| SIZE                      | 250 | D231         |
| RELEASE DATE              |     | SHEET 1 OF 1 |

ALL DIMENSIONS IN MM