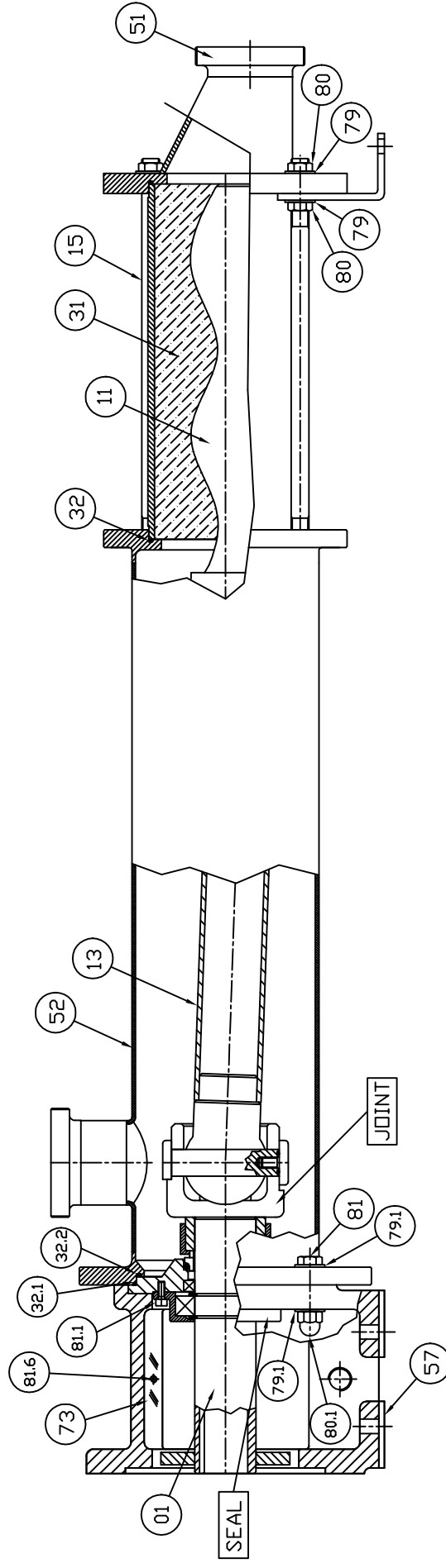




CARATTERISTICHE TECNICHE

NOVA ROTORS Srl
Quality system certificate UNI EN ISO 9001

TECHNICAL CHARACTERISTICS



MX 053-4

MX 055-1/2/4

MX 060-0/1/4

MX 062-2/2

MX 080-1/2

MX 120-1/2



ASSIEME POMPA IGIENICA / SANITARY PUMP EXPLODED VIEW

D14

NOVA ROTORS Srl
Quality system certificate UNI EN ISO 9001

ASSIEME POMPA / PUMP EXPLODED VIEW	D14
------------------------------------	------------

MX 053-4	MX 055-1/2/4	MX 060-0/1/4	MX 062-1/2	MX 080-1/2	MX 120-1/2
----------	--------------	--------------	------------	------------	------------

POS.	DESCRIZIONE / DESCRIPTION	Q.ty
01	ALBERO CAVO / FEMALE DRIVE SHAFT	01
11	ROTORE / ROTOR	01
13	ALBERO TRASMISSIONE / JOINT SHAFT	01
15	TIRANTE / RETAINING STUD	04
31	STATORE / STATOR	01
32	OR STATORE / O RING STATOR	02
32.1	OR ALLOGGIAMENTO / O RING HOUSING	01
32.2	OR ALLOGGIAMENTO / O RING HOUSING	01
51	BOCCHETTONE / OUTLET FLANGE	01
52	CORPO POMPA / BODY	01
73	PROTEZIONI PARTI ROTANTI / ROTATING PARTS PROTECTION	02
79	RONDELLA / WASHER	06
79.1	RONDELLA / WASHER	08
80	DADO / NUT	06
80.1	DADO CIECO / CAP NUT	04
81	VITE / SCREW	04
95	ANELLO ANTI TRAFILAMENTO / SLINGER RING	01
JOINT	VEDI SNODO SN7 / SEE SN7JOINT	02
SEAL	VEDI TENUTA TEN6 / SEE TEN6 SEAL PACK	01